

FEATURED MODEL

157-095-CR BLANCOPURUS II™ Kitchen Faucet in Polished Chrome

ADDITIONAL MODELS

157-095-ST Stainless (Satin Nickel)

FEATURES

- Solid brass body
- Ceramic disc cartridge
- Reversible mounting hardware adapts to thick or thin mounting surfaces
- 2.2 G.P.M. flow rate
- Installation in a 1-3/8" hole

CODE/STANDARDS COMPLIANCE

ASME A112.18.1-2005

IAPMO Listed

WARRANTY

Blanco America's Kitchen faucets feature a "NO HASSLE" LIMITED LIFETIME WARRANTY to be free of all manufacturing defects under normal use. See our complete warranty for details.

While Blanco America endeavors to provide accurate information, all dimensions are nominal, cannot be guaranteed, and are subject to change or cancellation. Blanco America assumes no responsibility for use of superseded or voided specifications.

PRODUCT SPECIFICATION

Kitchen faucet to include minimalist lever handle and high-arc decorative spout with solid brass body and ceramic disc cartridge. Faucet dimensions to be as follows: Reach: 10-1/16"; Spout Height: 10-5/8". Reversible mounting hardware to adapt to thick or thin mounting surfaces. Kitchen faucet to be BLANCOPURUS II™, Model 157-095-_____ in _____ finish.

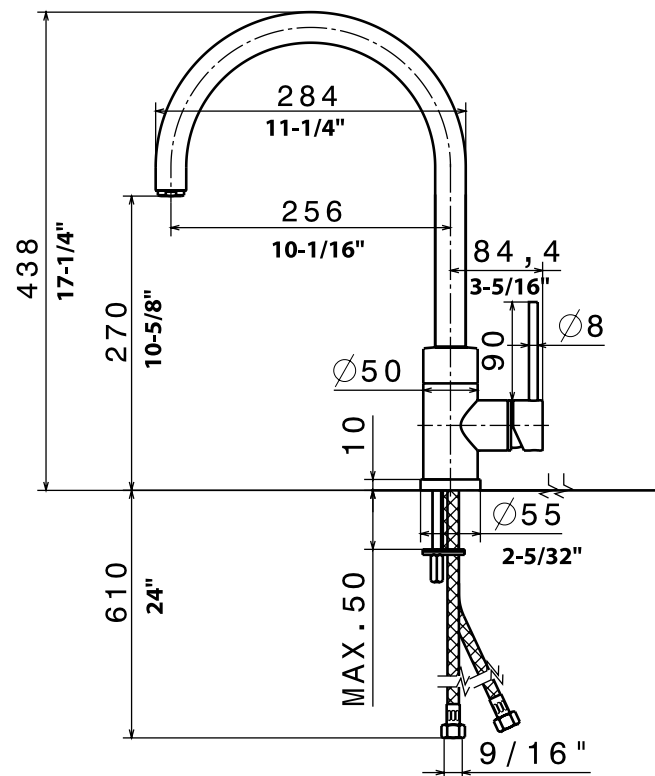
- Polished Chrome 157-095-CR
- Stainless (Satin Nickel) 157-095-ST



MODEL 157-095

NOMINAL DIMENSIONS

| MODEL | REACH | SPOUT HEIGHT | FAUCET HEIGHT |
|---------|----------|--------------|---------------|
| 157-095 | 10-1/16" | 10-5/8" | 17-1/4" |



See next page for exploded parts drawing and parts list.

JOB INFORMATION

Job Name: _____

Contact: _____

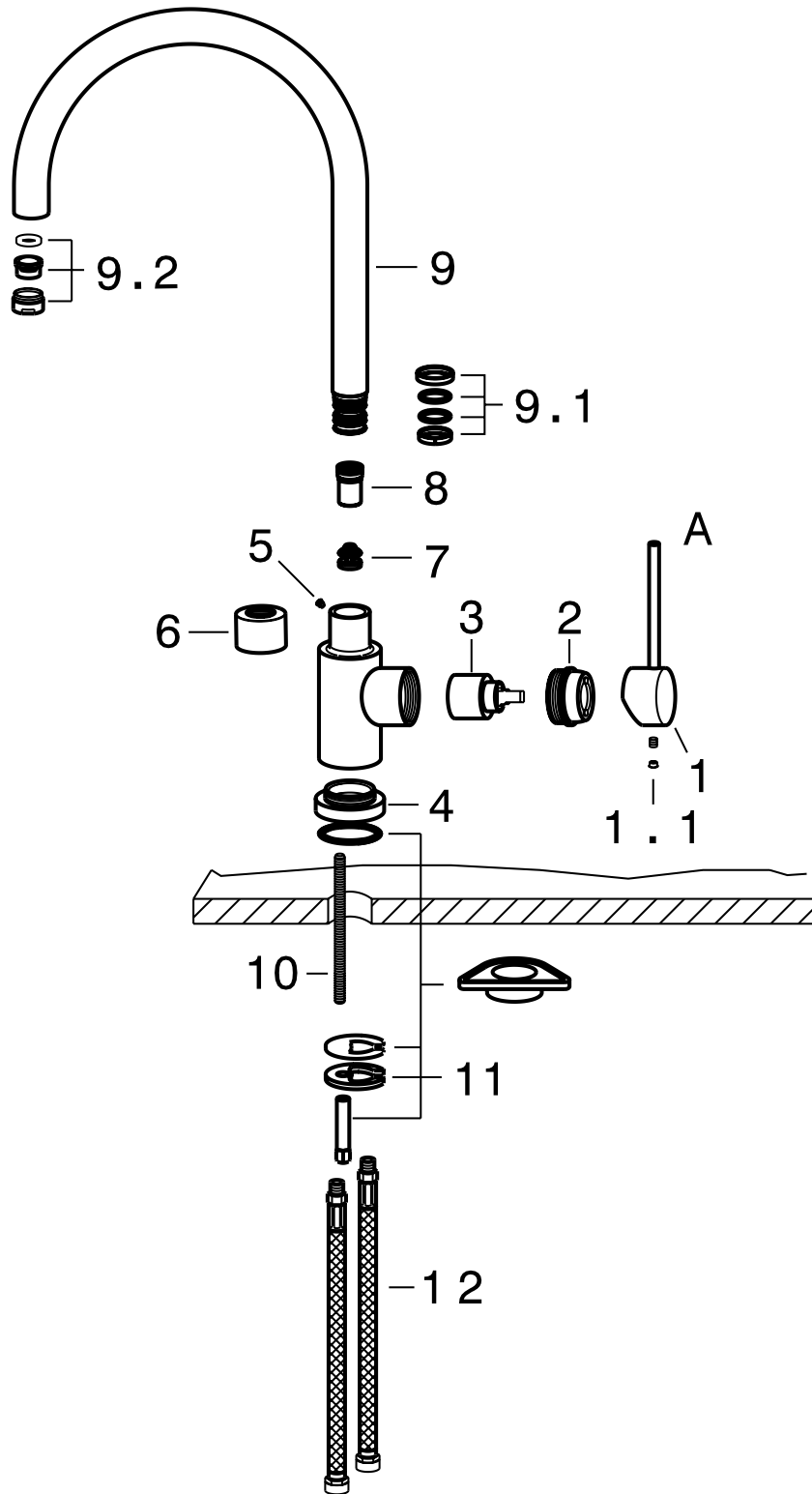
Date Specified: _____

Specifier: _____

Contractor: _____

BLANCO AMERICA
800.451.5782
www.blancoamerica.com

BLANCOPURUS II™ MODEL 157-095



| NUM. | DOC. PART # |
|------|-------------|
| 1 | 17970 |
| 1.1 | 16125 |
| 2 | 16034 |
| 3 | 14720 |
| 4 | 17950 |
| 5 | 10235 |
| 6 | 12725 |
| 7 | 15304 |
| 8 | 15303 |
| 9 | 15316 |
| 9.1 | 17972 |
| 9.2 | 89 |
| 10 | 16992 |
| 11 | 17973 |
| 12 | 15005 |